



Horns/Strobes and Electronic Signals



Features

- Low current draw, polarized.
- Indoor/outdoor models.
- Modular construction for fast installation.
- High dB output.
- MT Series Code 3 Horn meets ANSI/NFPA temporal pattern for standard emergency evacuation.
- Extended temperature range of -31°F to 150°F (-35°C to 66°C) select models.

Application

The Protectowire Company offers a complete line of high performance audible and visual signals designed and approved for fire protection signaling service.

The MT and MT Strobe Multitone Electronic Appliances offer a choice of eight (8) nationally and internationally recognized alerting sounds: Horn, Bell, March Time Horn, Code-3 Tone, Code-3 Horn, Slow Whoop, Siren or Hi/Lo Tone. The Code-3 Horn and tone patterns are engineered to comply with NFPA/ANSI Temporal Pattern specifications without requiring additional equipment.

Each MT and MT Strobe appliance has two installer selective sound output levels: STANDARD dBA and HIGH dBA. Non-strobe versions provide selectable voltage capability in one unit, 12 VDC or 24 VDC. Strobe versions are 24 VDC only and all models may be used with filtered or unfiltered (full-wave rectified) input voltages. Separate input terminals are available, while shunt wires are provided to enable both tone and strobe to operate simultaneously from a single input.

Designed for performance and reliability, models MT-12/24, MTWP, and RSSWP have been designed for use either indoors or outdoors, when used with the appropriate surface mounted back box.

The ASHP PowerTone Amplified Speaker with U-TC Tone Card, produces up to 32 different, high-decibel tones. The circuitry and tone card are contained in a NEMA-3R rated sealed housing of die-cast aluminum. An internal gain control allows for easy volume adjustment. The PowerTone is polarized for connection to system 24VDC supervised alarm indicating circuits.



Specifications and Ordering Information

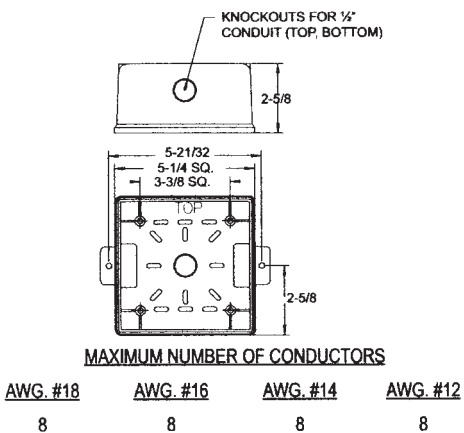
Model Number	Voltage / RMS Current @ 24 VDC	Rated Candela	Mounting Option	UL	FM	MEA	CSFM
MT-12/24-R	12/24 VDC .08 amps	N/A	IOB-R	X	X	X	X
MT-24MCW-FR (Indoor Only)	24VDC/.08 amps Strobe - .04 - .14 amps	15 / 30 / 75 /110	IOB-R	X	N/A	N/A	X
MTWP-2475W-FR	24 VDC / .08 amps Strobe - .094 amps	180 @ 77°F (25°C)	IOB-R	X	X	X	X
RSSWP-2475W-FR	24 VDC .094 amps	75	WPSBB-R	X	X	X	X
ASHP-24 SMR w/ U-TC Tone Card	24 VDC .55 amps	N/A	Surface Mtd Indoors or Outdoors	X	N/A	X	X

Mounting Accessories

Model Number	Description
IOB-R	Red surface back box designed for indoor/outdoor use. Use with MT Series Signals.
WPSBB-R	Red weatherproof surface back box for use with RSSWP model only. Use indoors or outdoors.

IOB BACKBOX

For surface mounting MT products.



WPSBB-R

Used with Series
RSSWP Weather-
proof

