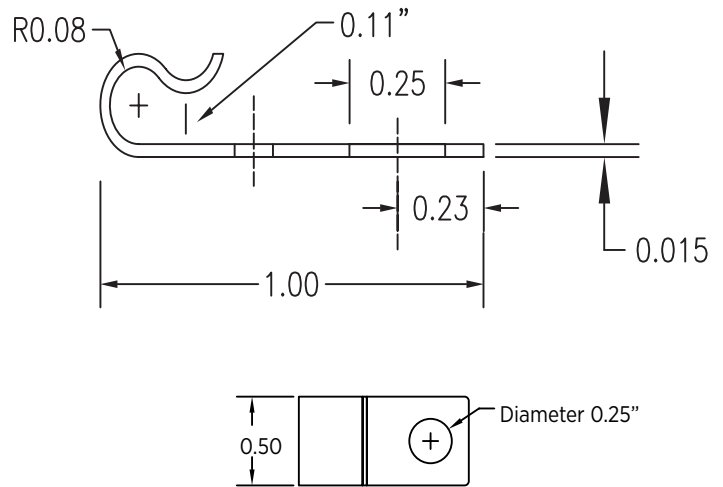
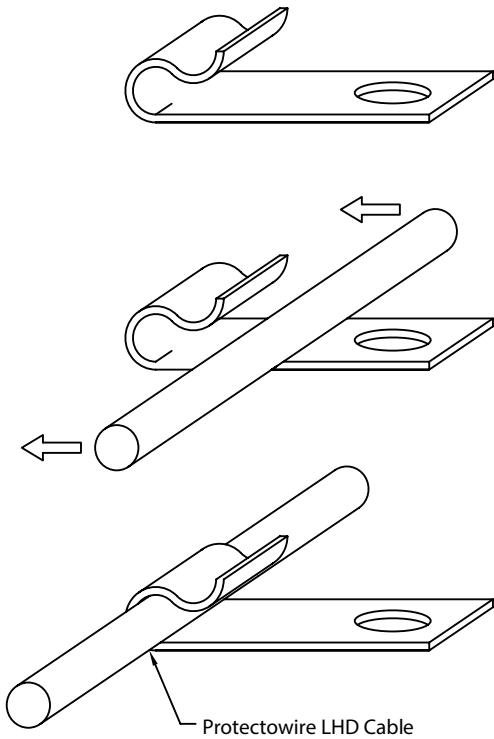


Protectowire Linear Heat Installation Accessories

Part#: JD-1 Clip

A General Purpose Mounting Device.



*All dimensions are approximate and shown in inches.

Information

- Stainless steel linear heat detector "J" type mounting clip with 1/4" mounting hole. Compatible with any Protectowire Linear Heat Detector.
- Material: 304 stainless steel
- Temperature: -76°F to 572°F (-60°C to 300°C)
- LHD Cable Diameter Range: (0.145" to 0.165" (3.7mm to 4.2mm))
- Insertion Force: Approx. 2-3 lbs. (9-13 Newtons)
- Mounting Hole Diameter: 0.25" (6.35 mm)
- Resistance: UV, corrosion and weather all excellent
- Maximum Recommended Spacing: 5 ft (1.5 M).