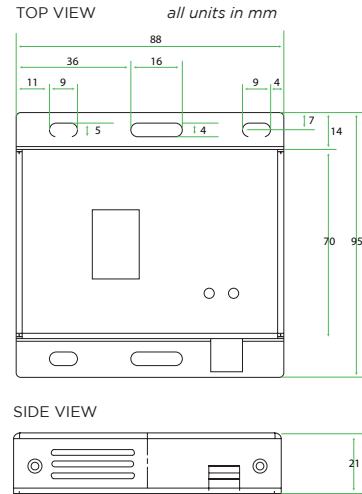


SensorGateway (BASE-WIRED)



General Description

The Sensor Gateway is a stand-alone IP based temperature sensor with built in alerting features and serves as the base unit for our solution.

Key Features

- Onboard temperature sensor.
- Built-in web server.
- Alerting via email, voice call, SMS or SNMP Trap.
- Industrial protocols: SNMP and Modbus TCP
- Web API protocols: JSON and XML.
- DHCP or static IP.
- PoE built-in, optional AC adapter or USB power adapters.
- OU and DIN mountable
- Ultra low power usage
- Runs locally
- No Internet connectivity required to operate.
- Stand-alone device: no software needed.
- Fully responsive web interface for desktop, tablet or smart phone.
- User configurable firewall for enhanced security.
- Industrial grade: UL Listed, FCC and CE certified.

Technical Specifications

TCP/IP:	IPv4 at 10/100 Mbps.
Power source:	PoE: IEEE 802.3af or BASE-PWR (Optional AC power adapter) or BASE-PWR-USB (USB power adapter)
Power usage:	684 mW (without sensors attached)
Network data transfer	SNMP GET (50 - 130 bytes) , SNMP Trap (143 - 280 bytes)
Built-in:	Web server, SNMP v1, v2 & v3 (MD5/AES), Modbus TCP.
Built-in alerting options:	Email, SMS (over IP) & SNMP Traps.
External sensors probes:	2 sensor probes through straight RJ45 CAT6/7 cable with max distance of 330ft (100m) (subject to cable quality and interference).
Max distance to switch:	CAT6/CAT7 up to 330ft (100m)

Built-in Temperature Monitoring Sensor Specifications

Temperature resolution:	0.11°F/ 0.06°C
Temperature reading:	-67°F to +257°F (-55°C to +125°C) / SensorGateway operates up to 167°F (75°C)
Temperature accuracy:	±0.9°F from 14°F to 185°F (± 0.5°C from -10°C to +85°C)

Environmental and Physical Specification

Operating temperature range	32°F (0°C) to +167°F (+75°C)
Humidity (operating and storage)	< 90% rH (non-condensating)
Dimensions	3.7in (97 mm) x 3.4in (88 mm) x 0.8in (21 mm)
Weight	0.42 lbs (0.19 kg)