

## CC-10N & CC-10W Cable Tray Clip

### Protectowire Linear Heat Installation Accessories

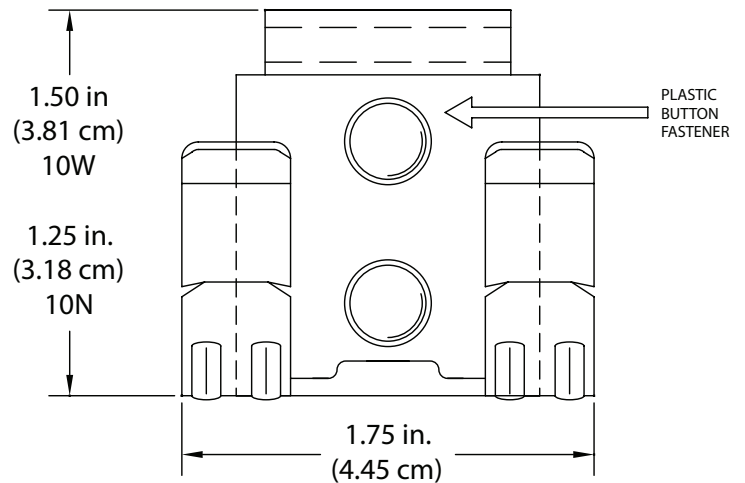
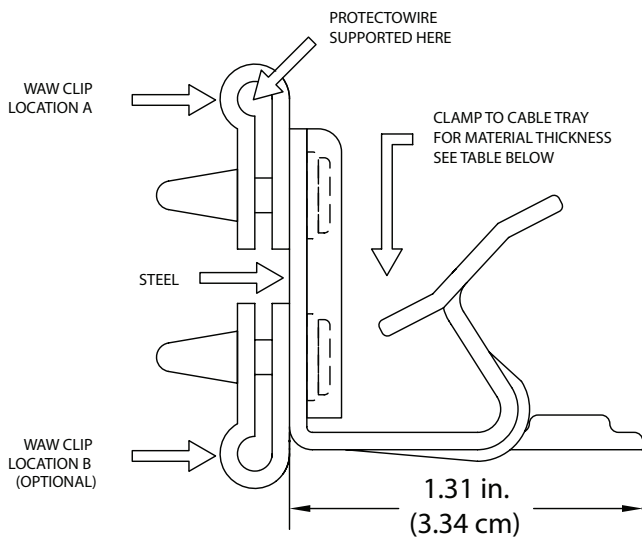
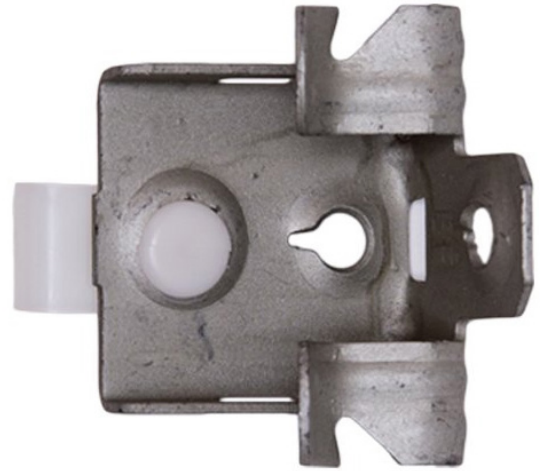
The CC-10s will accommodate a material thickness of up to .50 inch (12.7 mm) and also provide a means of locking the fastener in place by using one of the threaded mounting holes.

- The CC-10N is designed for materials ranging from .13 to .25 of an inch (3.2 - 6.4 mm) thick
- The CC-10W will clamp to materials from .31 to .50 of an inch (7.9 - 12.7 mm) thick

Material: Carbon Steel

Finish: Zinc Phosphate

Static Load: 160 lbs



All dimensions approximate: inch [mm]  
Subject to change with or without notice  
Not to scale

	MATERIAL THICKNESS
CC-10N	.13 - .25 in. (3.2 - 6.4 mm)
CC-10W	.31 - .50 in. (7.9 - 12.7 mm)