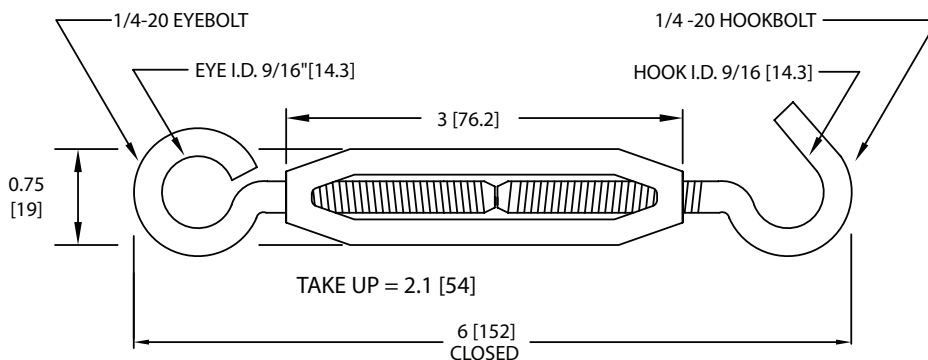


TR-24 & TR-24-S Turnbuckle, TR-4A & TR-4A-S Eyebolt and TR-5G Protectowire Linear Heat Installation Accessories

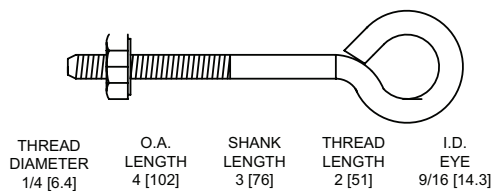
- The TR-24 and TR-24- S Turnbuckle are used to attach and add tension to one end of messenger wire to a supporting structure.
- TR-24 Materials: Steel construction with aluminum casing
- TR-24-S Materials: Stainless steel construction
- TR-5G = Zinc Plated Steel
Temperature Rating: -70°F to 300°F (-57°C to 149°C)
1/4"-20 locknuts

- The TR-4A and TR-4A-S Eyebolt is used to attach one end of messenger wire to a supporting structure.
- TR-4A Materials: Steel construction
- TR-4A-S Materials: Stainless steel construction
- 1/4"-20 Thread size

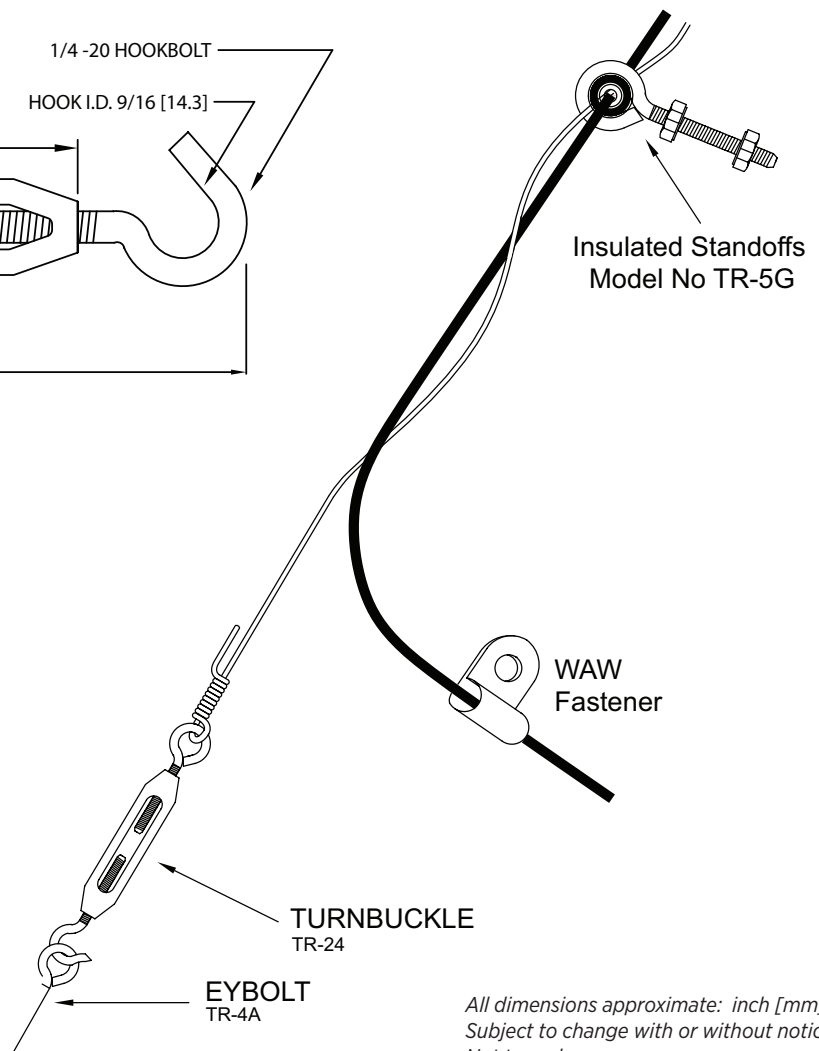
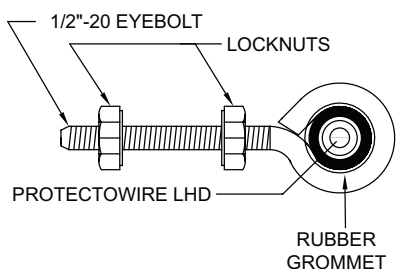
TURN-BUCKLE TR-24



EYEBOLT MODEL TR-4A



TR-5G



All dimensions approximate: inch [mm]
Subject to change with or without notice
Not to scale