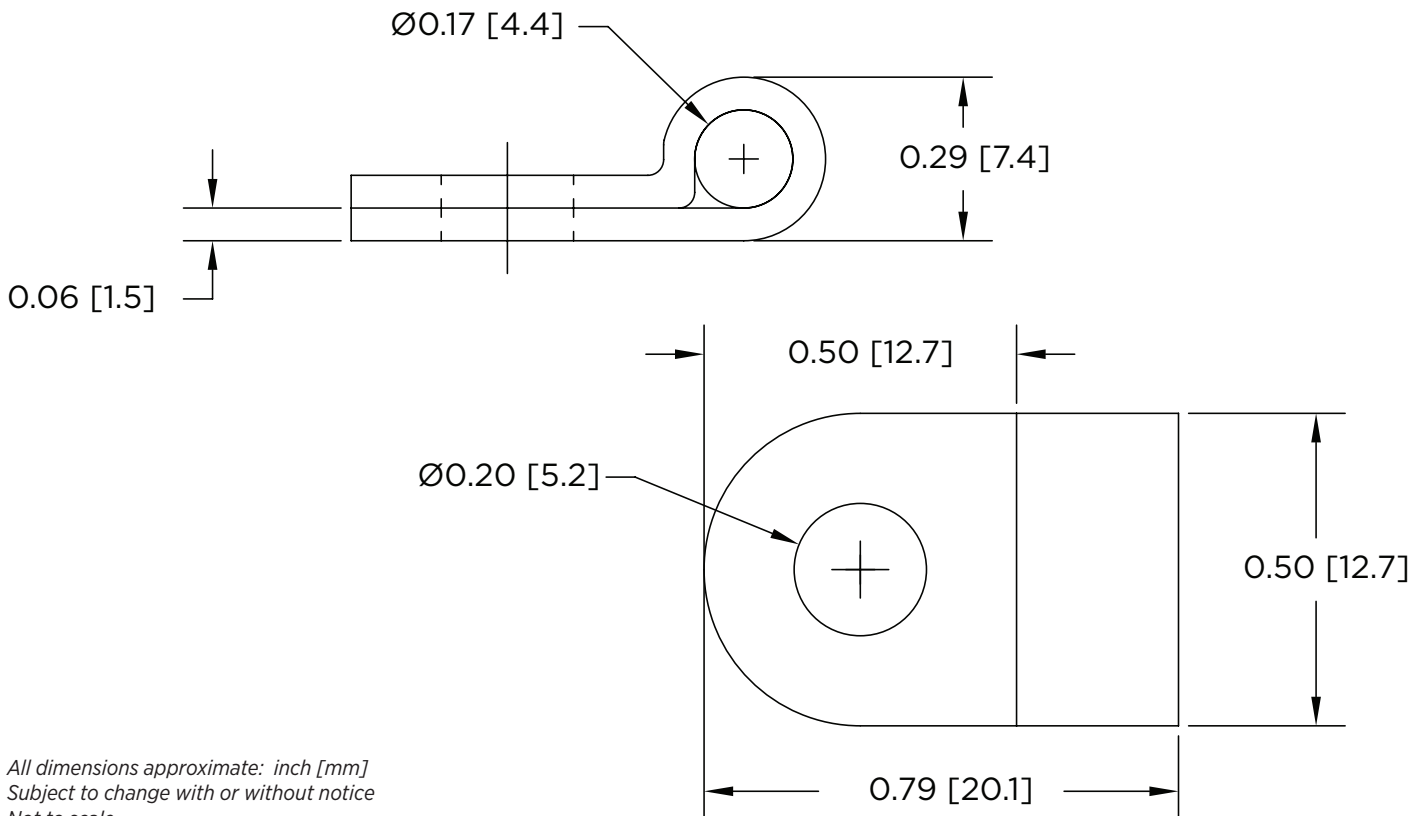


WAW Clips Types N & P

Protectowire Linear Heat Installation Accessories

Features

- WAW-N Material: Nylon
- Temperature Range: -22°F (-30°C) to 203°F (95°C)
- WAW-P Material: Polypropylene
- Temperature Range: -4°F (-20°C) to 180°F (82°C)
- Nominal Clamping Diameter: 0.19 (3/16") in. (4.8 mm)
- Closed Diameter: 0.17 in. (4.4 mm)
- Strap Width: 0.50 in. (12.7 mm)
- Strap Thickness: 0.06 in. (1.5 mm)
- Mounting Hole: 0.20 in. (5.2 mm)



All dimensions approximate: inch [mm]
Subject to change with or without notice
Not to scale