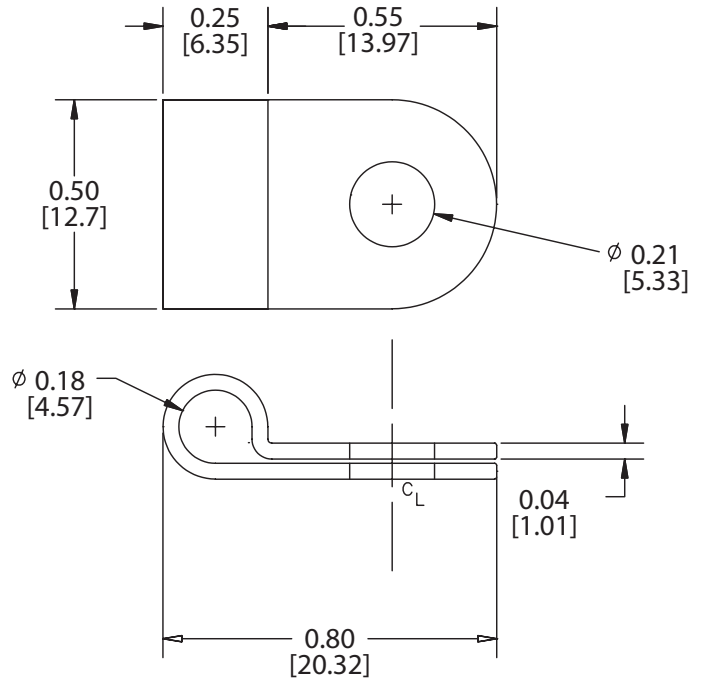


Protectowire Linear Heat Installation Accessories WAW-SS Stainless Steel Cable Clamp

Features

- For clamping cable securely into place in harsh environments.
- Smooth “coined clamp” edges prevent damage to cable insulation.
- Constructed from corrosion resistant 316 stainless steel.
- Mounting hole suitable for a #10 screw.
- Superior corrosion resistance



ALL DIMENSIONS ARE APPROXIMATE: INCH [MM]

